

PRELIMINARY

Notice: This is not a final specification.
Some parametric limits are subject to change.

M65675FP/M65676FP

DIGITAL NTSC/PAL ENCODER

DESCRIPTION

The M65675FP/M65676FP is a NTSC/PAL encoder LSI that converts CCIR 601 or CCIR 656 (SMPTE125M) format digital video signals into analog component and composite video signals in accordance with either NTSC or B/G-PAL standards.

The 10-bit digital luma (Y) and analog chroma (U/V) signals are available in Y/U/V output mode.

In addition it performs the closed caption capability (TV line 21/NTSC), CGMS^{*1} encoding (TV line 20/NTSC), WSS^{*2} encoding (TV line 23/PAL), Macrovision copy protection^{*3} function (Rev. 7.01) and on-screen display. The OSD function can be directly accessed by the OSD microprocessor via built-in interface.

FEATURES

- NTSC and B/G-PAL Outputs
- Component Y/C (S-Video), Composite (CVBS) or Y⁴/U/V Outputs
- Supporting CCIR601, CCIR656 (SMPTE125M) Format Data
- Processing Y/Cb/Cr and Y/U/V Pixel Data
- 27MHz Clock Frequency (Two-times Oversampling)
- Macrovision Copy Protection^{*3} Processing (Revision 7.01)
- Close Captioning Supporting (line 21/NTSC) (ODD Parity Operation)
- V-Code Supporting (line 21/NTSC) (ODD Parity Operation)
- CGMS^{*1} Data Insertion (line 20/NTSC) (CRCC Error Correction Code Operation)
- WSS^{*2} Supporting (line23/PAL)
- OSD Insertion Interface and 3×8×4-bit Color Look-up Table

- Controllable Picture Processing Functions
Color, TINT and Brightness
- Built-in Analog Functions
Y/C Mixing
Two 10-bit DACs
Three 6-dB Amplifiers
- Built-in 27 MHz System Clock Generator
- Single 3.3V Supply
- 64-pin PQFP Package

Note

*1: Copy Generation Management System-A (IEC1880)

*2: Wide Screen Signaling (ETS300 294)

*3: This applies to M65675FP only.

This device is protected by U.S. patent number 4631603, 4577216 and 4819098 and other intellectual property rights.

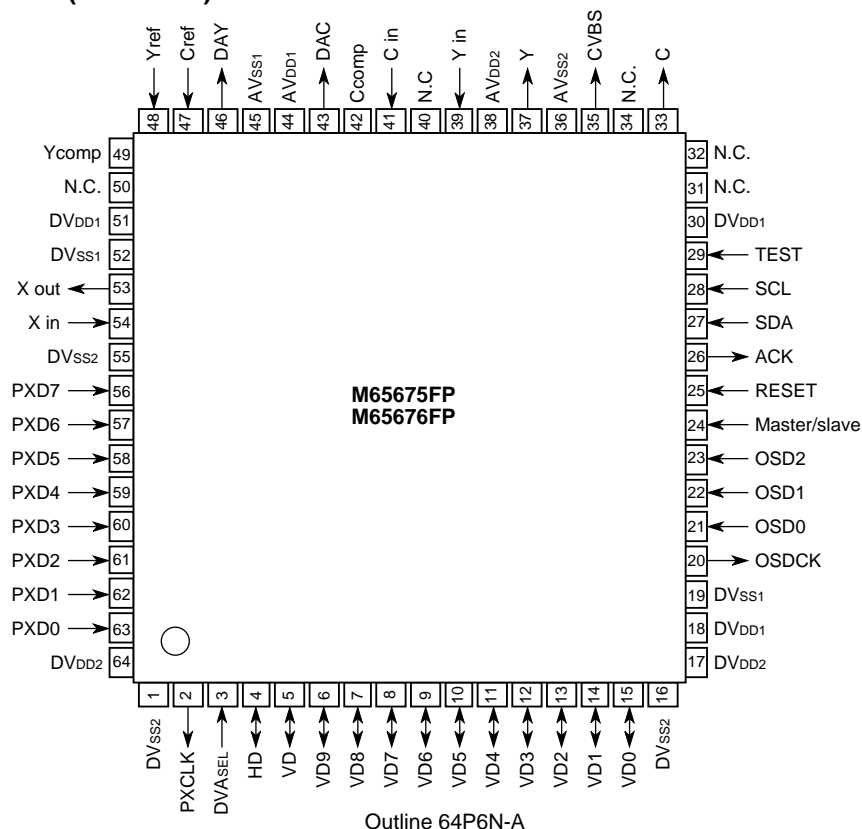
The use of Macrovision's copy protection technology in the device must be authorized by Macrovision and is intend for home and other limited pay-par-view use only, unless otherwise authorized in writing by Macrovision. Reverse engineering or disassembly is prohibited.

*4: Y output is 10bit digital signal.

APPLICATION

DVD Players, Digital Satellite & Cable System (Set Top Boxes/IRDs), Video CD, Multimedia Terminals, Video Games, Digital VCR & Camcorder etc.

PIN CONFIGURATION (TOP VIEW)



Outline 64P6N-A

NC : NO CONNECTION

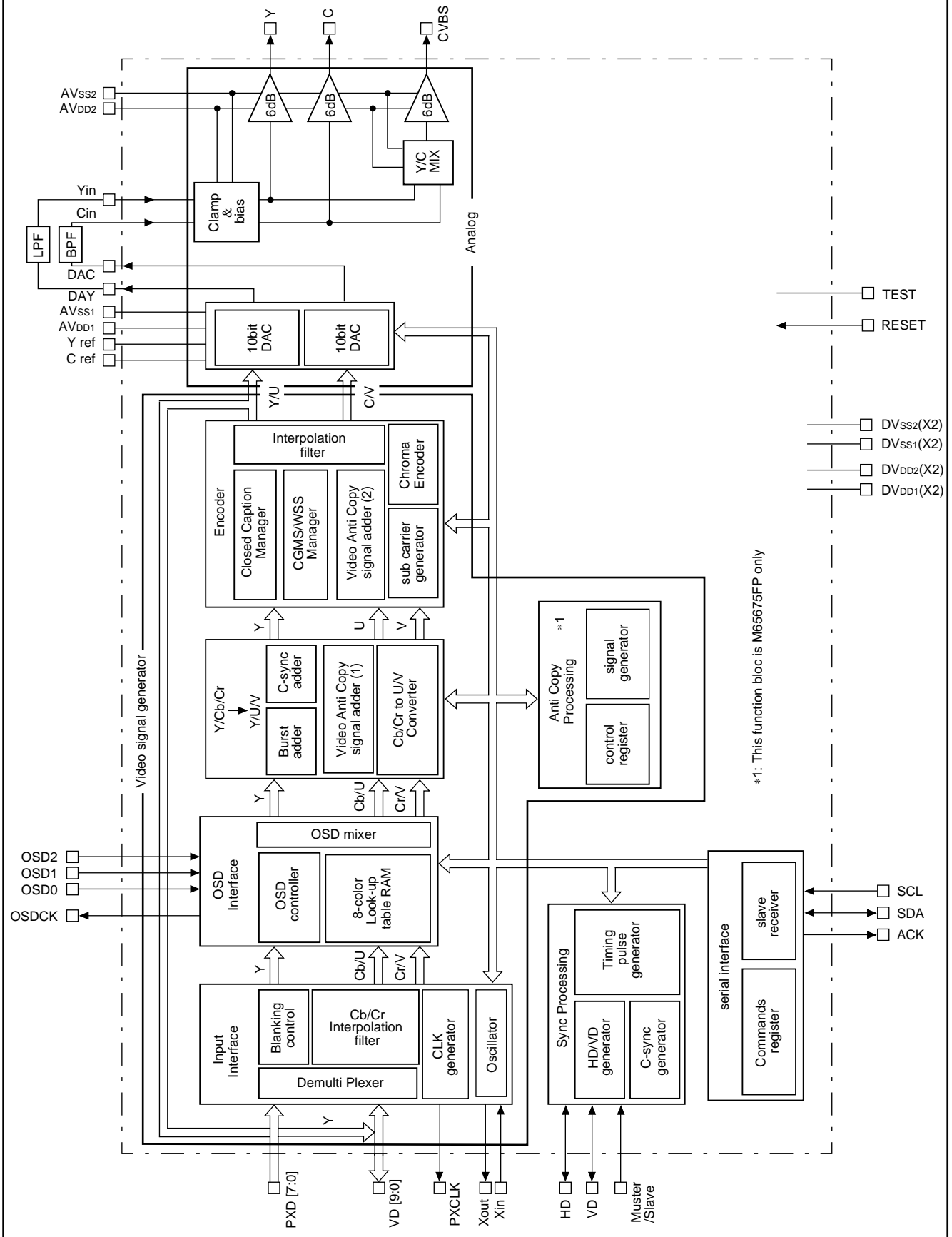
PRELIMINARY

Notice: This is not a final specification.
Some parametric limits are subject to change.

M65675FP/M65676FP

DIGITAL NTSC/PAL ENCODER

BLOCK DIAGRAM



PRELIMINARY

Notice: This is not a final specification.
Some parametric limits are subject to change.

M65675FP/M65676FP

DIGITAL NTSC/PAL ENCODER

ABSOLUTE MAXIMUM RATINGS

Symbol	Parameter	Limits			Unit
		Min.	Typ.	Max.	
V _{DD}	DC supply voltage	-0.3		4.5	V
V _I	Digital input voltage	-0.3		V _{DD} +0.3	V
V _O	Digital output voltage	-0.3		V _{DD} +0.3	V
T _a	Operating temperature	-20	+25	+75	°C
T _{stg}	Storage temperature	-40		+125	°C

RECOMMENDED OPERATING CONDITION (T_a=25°C, DV_{DD}=AV_{DD}=3.3V, DV_{SS}=AV_{SS}=0V, unless otherwise noted)

Symbol	Parameter	Test conditions	Limits			Unit
			Min.	Typ.	Max.	
Supply						
DV _{DDX}	Digital supply voltage		3.0	3.3	3.6	V
AV _{DDX}	Analog supply voltage		3.15	3.3	3.45	V
DI _{DD}	Digital current consumption		0		45	mA
AI _{DD}	Analog current consumption		0		55	mA
Digital input						
V _{IL}	Input voltage	DV _{DD} =3.0V	0		0.8	V
V _{IH}		DV _{DD} =3.6V	2.5		3.6	V
I _{IL}	Input leakage current	DV _{DD} =3.0V, V _I =0V or V _I =3.6V			±15	μA
C _I	Input capacitance	f=1MHz, V _{DD} =0V		7	15	pF
Digital output						
V _{OL}	Output voltage	DV _{DD} =3.3V, I _O <1μA			0.05	V
V _{OH}			3.25			V
C _O	Output capacitance	f=1MHz, V _{DD} =0V		7	15	pF
I ² C bus						
I _O	Output current	DV _{DD} =3.0V, V _{IL} =0.4V	4.0			mA
I _{OZ}	Output leakage current (off)	DV _{DD} =3.6V, V _I =0V or V _I =3.6V			±15	μA
D/A converter						
Res	Resolution			10		Bit
INL	Integral non-linearity error	R _{ref} =2.2kΩ, R _L =300Ω			±2.0	LSB
DNL	Differential non-linearity error	R _{ref} =2.2kΩ, R _L =300Ω			±1.0	LSB
V _{fSMAX}	Maximum output amplitude	000 to 3FF	1.5			V _{P-P}
6-dB amplifier						
R _{bias}	Bias resistor		7.5	10	11.5	kΩ
G _{V_YC}	Voltage gain (Y/C)		5.50	6.00	6.50	dB
G _{V_CV}	Voltage gain (CVBS)		5.10	6.00	6.85	dB
DR _{in}	Input dynamic range		0.8			V _{P-P}
DR _{out}	Output dynamic range		1.6			V _{P-P}

PRELIMINARY

Notice: This is not a final specification.
Some parametric limits are subject to change.

M65675FP/M65676FP

DIGITAL NTSC/PAL ENCODER

M65675FP/M65676FP System Architecture

Block Diagram of M65675FP/M65676FP

The M65675FP/M65676FP block diagram is shown in Fig. 3.1. The M65675FP/M65676FP consists of 4 functional blocks: a video signal processing, a synchronization control, a serial interface and an analog signal processing blocks. The video signal processing block includes an input interface, OSD interface, YCbCr to YUV converter/encoder and copy protection signal generator (This function block is M65675FP only).

A sync generator and timing pulse generator are in the synchronization control block. The serial interface block has an I²C slave register and command register. The analog signal processing block includes two 10-bit DACs, a Y/C mixing circuit and three 6-dB amplifiers.

General Description of Each Functional Blocks

◇ Video Signal Processing Block

The Y/Cb/Cr or Y/U/V are converted into digital Y/C signals in accordance with either NTSC and B/G-PAL standards. In addition the closed caption, CGMS/WSS and copy protection signals will be inserted in that digital Y/C signals.

[Input Interface]

The multiplexed Y/Cb/Cr or Y/U/V pixel data are divided by the individual components, then the Cb/Cr or U/V data rate is increased from 6.75 Mbps up to 13.5Mbps.

[OSD Interface]

The digital video signal in the CLT (Color Look-up Table) is overlaid with OSD data according to the external instructions.

[Y/Cb/Cr to Y/U/V Converter]

It converts the Y/Cb/Cr into Y/U/V, and then c-sync and burst signals are inserted on the converted Y and U/V signals, respectively. However, the burst insertion is not done in the Y/U/V output mode.

[Encoder]

The closed caption, CGMS/WSS and copy protection signals are inserted into the Y signal and C signal is modulated into the appropriate standards. After that processing, both Y and C signals will be oversampled.

[Copy Protection Processing]

According to the copy protection setting, VBI pulse (AGC and backporch pulse) and Advanced Split Burst are generated in accordance with Macrovision Rev 7.01.

◇ Synchronization Control Block

C-sync and several timing control signals for internal use are generated with 3 different H/V sync signals as reference. 1st reference H/V sync signal is external input, 2nd is internally generated one and 3rd is decoded one in digital blanking code (SAV, EAV etc.)

◇ Serial Interface Block

The registers can be read and written according to I²C bus format. The data transport to the internal blocks is performed on the trailing edge of V-sync, except for some set-up registers.

◇ Analog Signal Processing Block

The output of the 10-bit DAC is 1.2V_{P-P} at the sampling frequency of 27.0MHz. The inputs of Yin and Cin are set up to 0.6V_{P-P} (Typ) and the component outputs will be amplified by 6-dB up to 1.2V_{P-P} (Typ). The analog composite signal from the mixing circuit is also amplified up to 1.2V_{P-P} (Typ)

Functional Description

Video Signal processing

Input Interface

Input Format

The video encoder accepts 16/8-bit CCIR601 and CCIR656 format.

The specifications of these format are described as follows;

◇ 16-bit CCIR601 Interface

PXCLK=13.5MHz

Y=8-bit/13.5Mbps

16-235 straight-binary-data

Cb/Cr=8-bit/13.5 Mbps (Cb=Cr=8-bit/6.75 Mbps)

16-240 128 offset-binary-data

Active video area 525/60=720-pixel×480 line/frame

(22/284 line-263/525 line)

625/50=720-pixel×576 line/frame

(23/336 line-310/623 line)

◇ 8-bit CCIR601 Interface

PXCLK=27.0MHz

Cb/Y/Cr=8-bit/27.0Mbps

(Y= 8-bit/13.5Mbps
16-235 straight-binary-data
Cb/Cr=8-bit/13.5Mbps (Cb=Cr=8-bit/6.75Mbps)
16-240 128 offset-binary-data)

Active video area 525/60=720-pixel×480 line/frame

(22/284 line-263/525 line)

625/50=720-pixel×576 line/frame

(23/336 line-310/623 line)

PRELIMINARY

Notice: This is not a final specification.
Some parametric limits are subject to change.

M65675FP/M65676FP

DIGITAL NTSC/PAL ENCODER

◇ CCIR656 Interface

PXCLK=27.0MHz

Cb/Y/Cr=8-bit/27.0Mbps

$$\left(\begin{array}{l} \text{Y=8-bit/27.0Mbps} \\ \text{16-235 straight-binary-data} \\ \text{Cb/Cr=8-bit/13.5Mbps (Cb=Cr=8-bit/6.75 Mbps)} \\ \text{16-240 128 offset-binary-data} \end{array} \right)$$

Active video area 525/60=720-pixel×480 line/frame
(22/284 line-263/525 line)

625/50=720-pixel×576 line/frame
(23/336 line-310/623 line)

Vertical blanking Interval 525/60=1/264-9/272

Digital field 1 (ODD)=4-265

Digital field 2 (EVEN)=266-3

625/50=624/311-22/335

Digital field 1 (ODD)=1-312

Digital field 2 (EVEN)=313-625

Horizontal blanking Interval 525/60=276CLK (0H=32CLK)

EAV=1-4CLK/SAV=273-276CLK

625/50=288CLK (0H=24CLK)

EAV=1-4CLK/SAV=285-288CLK

The input data (X), except the active data in the above support format, are clipped as shown below;

◇ 8/16-bit CCIR601 Interface

$$\left(\begin{array}{l} \text{Y : } X \times 16 \div 16 \\ \text{X} \geq 235 \div 235 \quad (\text{Whole period}) \\ \text{Cb/Cr : } X \times 16 \div 16 \\ \text{(U/V) } X \geq 240 \div 240 \quad (\text{Whole period}) \end{array} \right)$$

◇ CCIR656 Interface

$$\left(\begin{array}{l} \text{Y : } X \times 16 \div 16 \\ \text{X} \geq 235 \div 235 \quad (\text{Active video period}) \\ \text{X} \div 16 \quad (\text{Blanking period}) \\ \text{Cb/Cr : } X \times 16 \div 16 \\ \text{(U/V) } X \geq 240 \div 240 \quad (\text{Active video period}) \\ \text{X} \div 128 \quad (\text{Blanking period}) \end{array} \right)$$

Digital Multiplexing

The input pixel data described in 4.1.1.1 are de-multiplexed, then Y, Cb, Cr and Y, U, V signals will be converted to each 8-bit parallel data. After the above conversion, 6.75Mbps Cb, Cr/U, V data are interpolated at a double clock rate of 13.5Mbps.

PXCLK Processing

PXCLK is generated from the 27.0MHz system clock according to the appropriate selected format and the clock signal for Y, Cb, Cr/Y, U, V data de-multiplexing is also generated.

OSD Interface

Color Look-up Table (CLT)

The built-in CLT can be equivalent to 4bit×8 colors, so that the reproduced colors are 8/4096.

The setting ranges and the signal levels in the overlaying of Y, Cb and Cr each are shown below;

Y : Setting range=1 (h) to F (h) : straight-binary data

Signal Level=10 (h) to F0 (h) : straight-binary data

Cb/Cr : Setting range=1 (h) to F (h) : 8 offset-binary data

Signal level=10 (h) to F0 (h) : 128 offset-binary data

OSD Control

Overlaying the appointed data on the video signal from MPEG is possible by inputting the address data to the CLT in synchronization with OSDCLK, H-sync and V-sync. The overlaying is prohibited in case CLT address is set to 7 (h).

The OSD control specifications are shown below;

◇ OSDCLK= selectable 13.5MHz or 6.75MHz

selectable continuous or discontinuous

(pausing during H-sync) clock

◇ Color Signal Blend=Maximum 3 colors are allowed to be set.

The data of CLT addresses 0 (h) to 2 (h) are dedicated to color blending.

The blend ratio is fixed by 1:1 and blend mode is selectable between Y/Cmix and Ymix mode.

Y/Cb/Cr to Y/U/V Converter

C-sync Addition

The sync signal, set up in the register, is added to Y signal according to C-sync timing generated from H-sync/V-sync. Typical sync height, set up in the register, is calculated by the following equations;

Sync level={ (White peak input level-16)×2.5×Xsync (IRE) } / 100

In the case of NTSC : { (235-16)×2.5×40 } / 100 = 219 (DBH)

PAL : { (235-16)×2.5×43 } / 100 = 235.4 (EBH)

Note: Xsync=Output sync level (IRE)

Set-up Control (NTSC)

In the NTSC signal generation mode, three set-up modes are possible according to the register.

Selectable set-up modes are;

Mode 0 : Set-up ÷ 0 IRE

Mode 1 : Set-up ÷ 7.5 IRE

Mode 2 : Set-up ÷ 7.5 IRE

Cb/Cr to U/V Conversion

The Cb/Cr data are converted into the U/V data by the following equations;

U=0.493×Cb/0.564

V=0.877×Cr/0.713

PRELIMINARY

Notice: This is not a final specification.
Some parametric limits are subject to change.

M65675FP/M65676FP

DIGITAL NTSC/PAL ENCODER

Burst Insertion

The burst signal, set up in the corresponding register, is inserted to Cb/Cr according to the burst timing signal.

The burst signal is derived from the following equations;

$$NTSC = ABS (Burst\ level - 128) \times 5 / 5.47 \text{ (IRE)}$$

Ex. 40IRE = 54H

$$PAL = (ABS (Burst\ level - 128) \times 5 / 5.47) \times 2 \text{ (IRE)}$$

Ex. 43IRE = 5EH

Video Anticopy Signal Addition [1] (VBI Amplitude/CSP)

This applies to M65675FP only.

Sync-amplitude function and Color Stripe™ control function are carried out according to the corresponding register, in accordance with Macrovision Video Anti Copy Process Rev. 7.0 dated September 6 1996.

Encoder

Closed Caption Encoding

In the NTSC (525/60) mode, 8-bit × 2 byte data, including parity bit, set in the register are converted into the format shown in fig. 1 and then will be inserted in the video signal according to the register data of the closed captions control specification (closed caption on/off and caption data insertion mode). After the completion of transmission, the new data are loaded in the register by setting the close caption flag to "1", then the transferred data are loaded in the register on the trailing edge of V-sync pulse by setting that flag to "0". (In case the closed caption flag is "1", the new data loading is halted and the caption data are not inserted in the video signals).

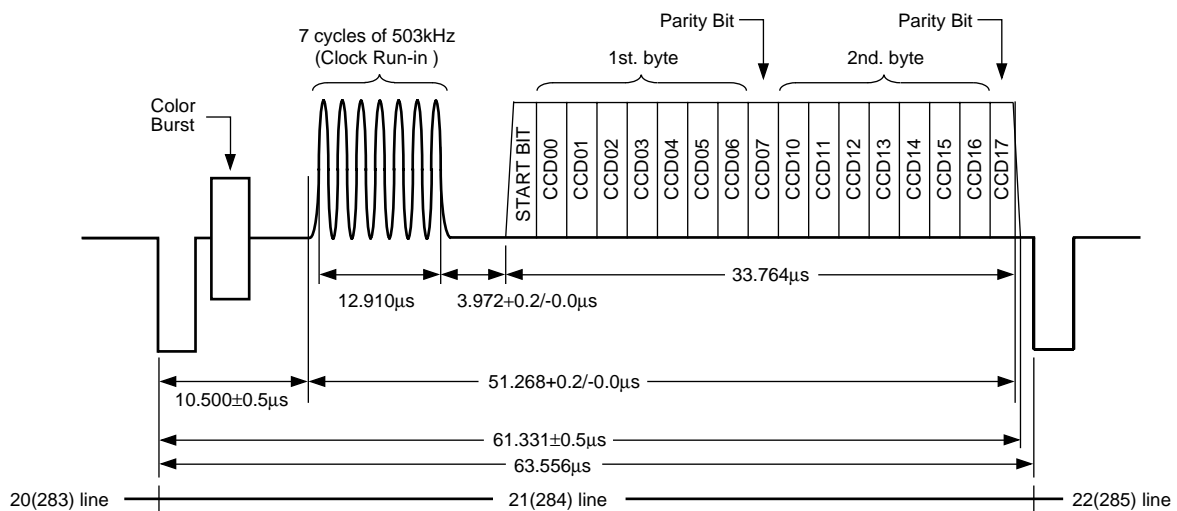


Fig. 1 CLOSED CAPTION WAVEFORM

PRELIMINARY

Notice: This is not a final specification.
Some parametric limits are subject to change.

M65675FP/M65676FP

DIGITAL NTSC/PAL ENCODER

CGMS (IEC 1880) Encoding

In the NTSC (525/60) mode, the 20-bit data, consisting of 14-bit data including CRCC code and 6-bit error correction code generated by the input data, are converted into the video format

shown in fig. 2 and then inserted in TV line 20/283, according to the register data of CGMS control mode (CGMS on/off).

The transferred data are loaded to the register on the trailing edge of V-sync, after a write-enable (WE) was set to "1".

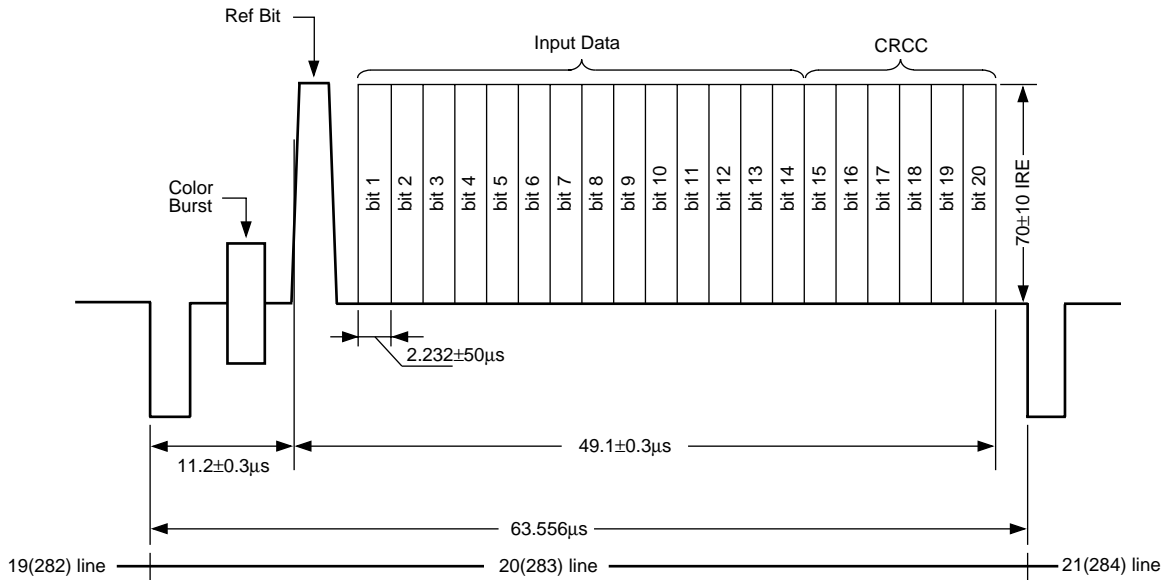


Fig. 2 CGMS WAVEFORM

WSS (ETS 300 294) Encoding

In the PAL (625/50) mode, 14-bit data, set in the register, is modulated to the signal format shown in fig. 3 and then will be inserted into TV line 23, according to the register data of WSS

control mode (WSS on/off).

The new register data are loaded on the trailing edge of V-sync, after a write-enable (WE) was set to "1".

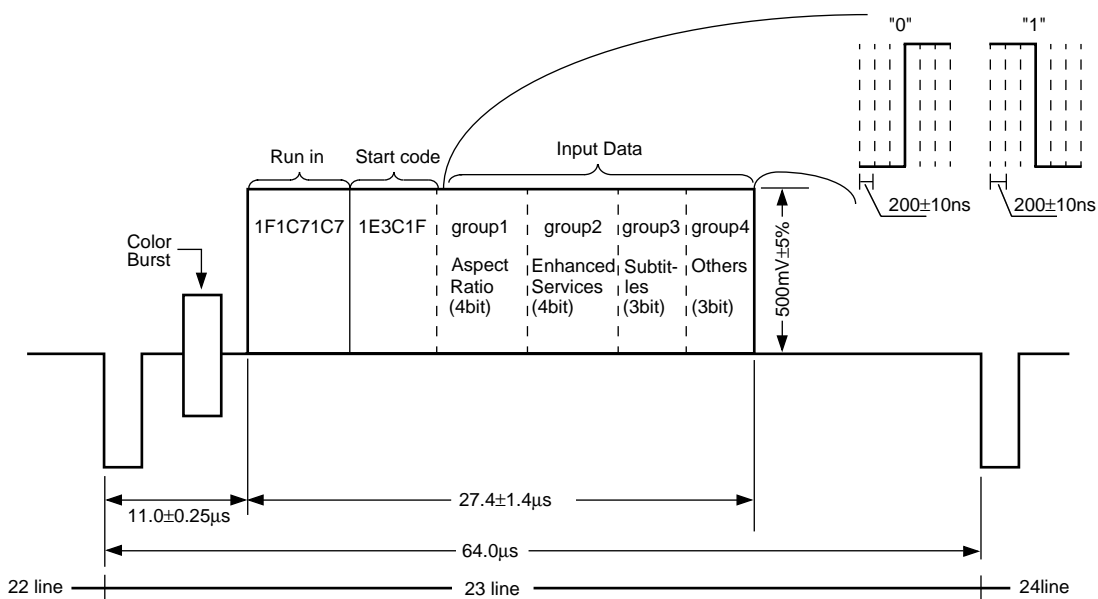


Fig. 3 WSS WAVEFORM

PRELIMINARY

Notice: This is not a final specification.
Some parametric limits are subject to change.

M65675FP/M65676FP

DIGITAL NTSC/PAL ENCODER

Color Subcarrier Generation

32-bit accuracy color subcarrier is generated from 27-MHz clock signal according to the register data.

The subcarrier frequencies are as follows;

$$\begin{aligned} \text{M-fsc mode} &= 455f_H/2 \\ &= 3.579545\text{MHz} \pm 10\text{Hz} \\ \text{B-fsc}_1 \text{ mode} &= 1135f_H/4 \\ &= 4.43359375 \pm 5\text{Hz} \\ \text{B-fsc}_2 \text{ mode} &= 1135f_H/4 + 25\text{Hz} \\ &= 4.43361875 \pm 5\text{Hz} \end{aligned}$$

Note: The above carrier frequencies are based on the input clock frequency of 27.0MHz. So, the generated subcarrier is also fluctuated according to a drift of the external clock frequency.

Interpolation

The 13.5MHz data of Y, U and V are processed by an average-value interpolation and then each data rate are increased up to two times that of 27.0MHz.

Chroma modulation

The selected subcarrier frequency, which generated 27.0MHz rate U and V signals, is modulated.

Video Anticopy Signal Addition [2] (Pseudo Sync/AGC/Back Porch Pulses)

This applies to M65675FP only.

The several anticopy signals (Pseudo Sync/AGC/Back Porch Pulses), in accordance with Macrovision Video anticopy processes Rev.7.01 dated Sep. 6, 1996, are inserted into the appropriate video signals according to the register data. (This applies to M65675FP only)

Video Anticopy Signal Generation

This applies to M65675FP only.

Several anticopy signals in accordance with Macrovision anticopy processes Rev. 7.01 dated Sep. 6, 1996 are added to Y/C output signals according to the I²C register data.

For more information about Macrovision video anticopy processes, please contact nearest MITSUBISHI Electric sales office.

The video anticopy specification is provided to only those customers of MITSUBISHI Electric Corp. who have executed a license or a non-disclosure agreement with Macrovision Corp. Sample request and sales orders require the following procedure.

In the case of the customers who have no license.

◇ Contact VP sales & marketing, ACP-PPV, Macrovision Corporation.

Phone : USA (408) 743-8600

Fax : USA (408) 743-8610

◇ Complete the appropriate agreement with Macrovision.

◇ Then, inform to MITSUBISHI in writing that the agreement has completed.

◇ Samples will then be sent to customer after MITSUBISHI's confirmation of it.

Sales Orders

◇ In case the customer has a Macrovision license:

The customer provides MITSUBISHI Electric Corp. with a written confirmation of the license.

Customer can then purchases M65675FP.

◇ In case the customer does not have a Macrovision license:

The customer must obtain a license or waiver from Macrovision.

The customer must provide MITSUBISHI Electric Corp. with a written confirmation of the license or waiver from Macrovision.

Customer can then purchases M65675FP.

Synchronization Control

Sync Signal Processing

The H/V sync signals are available in following 3 conditions; (1) in synchronization with external sync signal, (2) in a slave mode which refers to a digital blanking code and (3) in a master mode which refers to a internally generated sync signal, according to the register data. The timing specifications in each modes are as follows;

◇ The slave mode

$$\begin{aligned} \text{H-sync input condition: } 1H &= 63.555 - 1.5/+10\text{ms} (525/60) \\ &= 64.0 - 1.5/+10\text{ms} (625/50) \end{aligned}$$

$$\begin{aligned} \text{V-sync input condition: } 1V &= 262.5H \pm 10H (525/60) \\ &= 312.5H \pm 10H (625/50) \end{aligned}$$

$$\begin{aligned} \text{Field condition} &: \text{Even-}1/4H < V_{\text{sync}} < 1/4H \text{ (Typical } V_{\text{sync}} = 0H) \\ &: \text{Odd } 1/4H \leq V_{\text{sync}} \leq 3/4H \text{ (Typical } V_{\text{sync}} = 1/2H) \end{aligned}$$

◇ The master mode

$$\begin{aligned} \text{H-sync generation condition: } 1H &= 63.555 \pm 0.035\text{ms} (525/60) \\ &= 64.0 \pm 0.035\text{ms} (625/50) \end{aligned}$$

$$\begin{aligned} \text{V-sync generation condition: } 1V &= 262.5H \pm 1/4H (525/60) \\ &= 312.5H \pm 1/4H (625/50) \end{aligned}$$

$$\begin{aligned} \text{Field condition} &: \text{Even-}1/4H < V_{\text{sync}} < 1/4H \text{ (Typical } V_{\text{sync}} = 0H) \\ &: \text{Odd } 1/4H \leq V_{\text{sync}} \leq 3/4H \text{ (Typical } V_{\text{sync}} = 1/2H) \end{aligned}$$

Timing Signal Generation

A number of internal timing signals are generated with the trailing edge of sync signals (shown in 4.2.1) as reference. All signals can be adjusted in 13.5MHz-step up to $\pm 1.2\text{ms}$ with respect to the reference sync signal.

PRELIMINARY

Notice: This is not a final specification.
Some parametric limits are subject to change.

M65675FP/M65676FP

DIGITAL NTSC/PAL ENCODER

Composite-sync Generation

The timing-corrected c-sync signal, for an addition to the Y signal, is generated in accordance with RS170A (NTSC) and CCIR (PAL) standards, as shown in fig. 4.

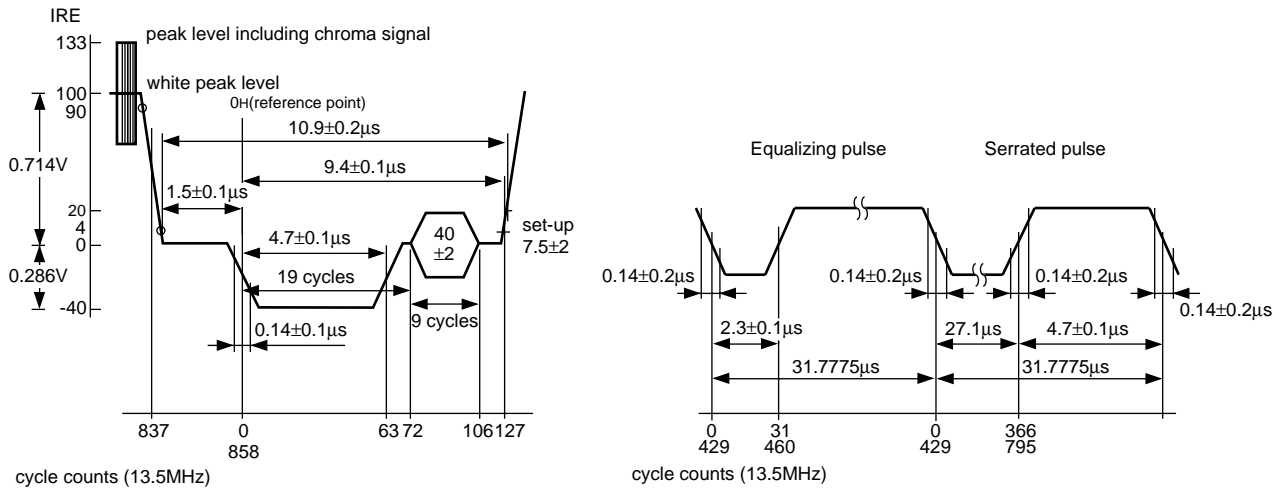


Fig. 4-1 NTSC HORIZONTAL SYNC SIGNAL (referred to EIARS170A)

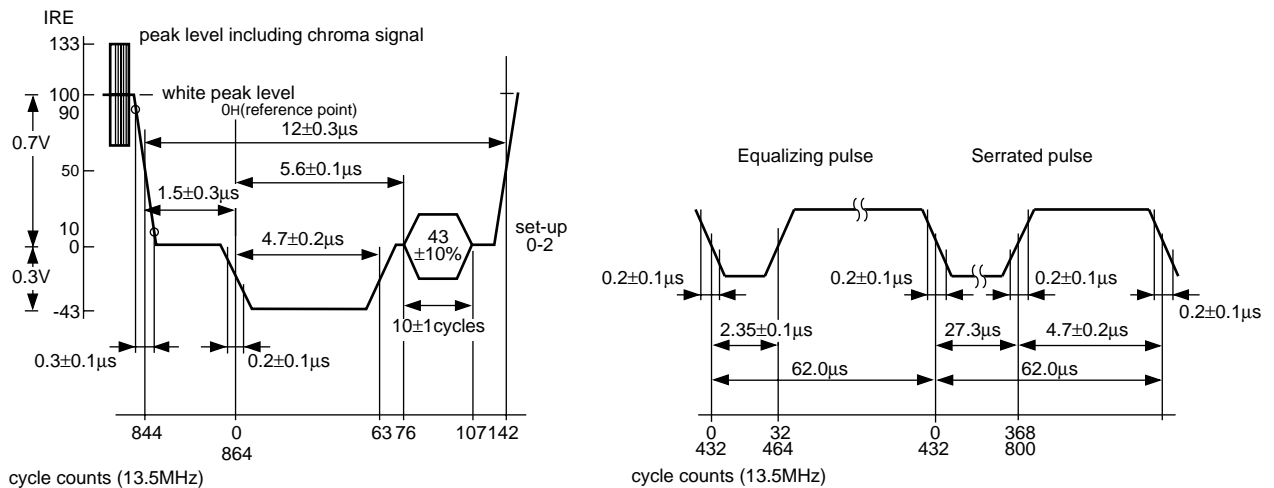


Fig. 4-2 PAL HORIZONTAL SYNC SIGNAL (referred to CCIR)

Serial Interface

The M65675FP/M65676FP has a serial data receiver, in compliance with both typical and high speed modes, based on I²C serial bus specification. The slave-address of it also responds to two addresses of 40h and 42h. The address setting is done by following procedure;

address setting pin DVASEL (pin 3) is "L" and "H" for the address of 40h and 42h, respectively.

The serial data are stored in the data register in the serial interface block according to the appointed address after the receipt of the

data. The stored data will be loaded to the registers in each internal blocks at the timing of the first trailing edge of V-sync after the transmission flag (WE) have been set up.

Analog Blocks

D-A Converter

The M65675FP/M65676FP has two 10-bit D-A converters. A reference current of the D-A converters is supplied directly through the Yref and Cref pins. The power save mode cuts the circuit current. The maximum output amplitude is 1.2V_{P-P}.

PRELIMINARY

Notice: This is not a final specification.
Some parametric limits are subject to change.

M65675FP/M65676FP

DIGITAL NTSC/PAL ENCODER

Y and C Mixing Circuit

The analog outputs of D-A converters are filtered and then input to the M65675FP again. The Y and C signals, whose maximum amplitude is 0.6V_{P-P}, are combined and the resulting composite signal (CVBS) is output. The maximum amplitude of CVBS output is 1.2V_{P-P}.

6-dB Amplifier

The M65675FP has three 6-dB amplifiers. The maximum input is 0.6V_{P-P} and the resulting maximum output will be 1.24V_{P-P}. The maximum drivability and band width are 1mA and 6MHz, respectively.

Operating Description

Initialize

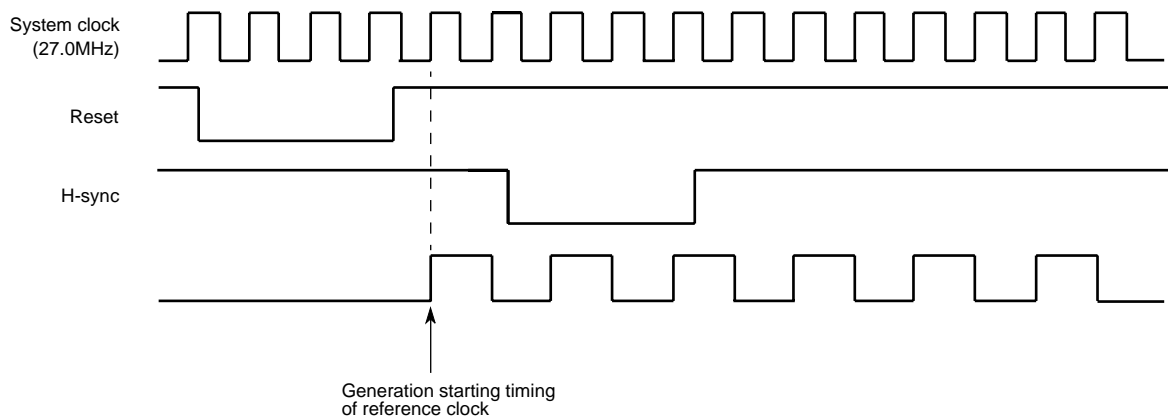
After power-on, the M65675FP/M65676FP has two different initialize sequences in the master and slave modes, respectively.

In the master mode, the internal registers are initialized responding to the reset signal. After reset, the serial registers are set to the default data and an internal control clock (13.5MHz) is generated from the system clock.

In the slave mode, the internal registers are initialized the same as in the master mode. The serial registers are set up to the default data and the system clock generates the internal control clock (13.5 MHz) in the synchronization with the trailing edge of the horizontal sync signal (H-sync), after reset. (Referring to Fig. 5)

In case the serial registers are set up to data other than the default ones, the data should be renewed according to the I²C bus format in both the master and slave modes, after reset.

In the master mode



In the slave mode

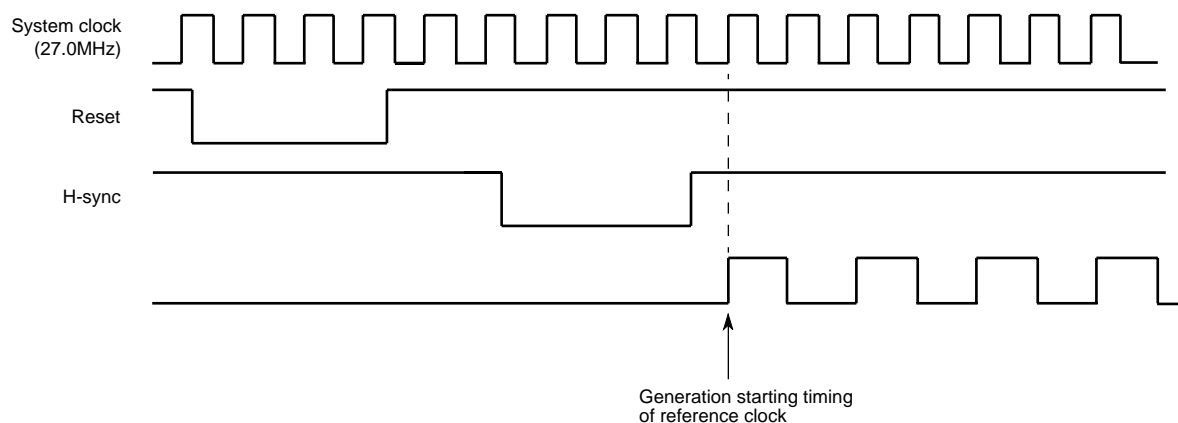


Fig. 5 GENERATION STARTING TIMING OF INTERNAL REFERENCE CLOCK

PRELIMINARY

Notice: This is not a final specification.
Some parametric limits are subject to change.

M65675FP/M65676FP

DIGITAL NTSC/PAL ENCODER

Serial Register

The serial address register can be addressed by I²C bus.
The M65675FP/M65676FP has two slave addresses, 40h and 42h.

In the actual use, one of two is selected and then Pin 3 (DVASEL) is set according to the selected address data

Slave address=40h 42h	bit7	bit6	bit5	bit4	bit3	bit2	bit1	bit0
	0	1	0	0	0	0	0	R/W
	0	1	0	0	0	0	1	R/W

Register Mapping and Description

sub address	Function	data								
		7	6	5	4	3	2	1	0	
00	Write control	WE	P-save	UVin	YCINV	CbCrINV	Color Bar			
01	Interface	525/625	NTSC/PAL	YC/UV	SCH	offset	Setup1	Setup0	CGMS/WSS	
02		CC1F	CC2F	CCI/F	CCD1	CCD0	CCIR1	CCIR0		
03	Sync level	sync7	sync6	sync5	sync4	sync3	sync2	sync1	sync0	
04	Burst level		burst6	burst5	burst4	burst3	burst2	burst1	burst0	
05	Sync delay				SD4	SD3	SD2	SD1	SD0	
06	Y delay				YD4	YD3	YD2	YD1	YD0	
07	TINT	TINT7	TINT6	TINT5	TINT4	TINT3	TINT2	TINT1	TINT0	
08	Closed Caption (1st field)		CC106	CC105	CC104	CC103	CC102	CC101	CC100	
09			CC116	CC115	CC114	CC113	CC112	CC111	CC110	
0A	Closed Caption (2nd field)		CC206	CC205	CC204	CC203	CC202	CC201	CC200	
0B			CC216	CC215	CC214	CC213	CC212	CC211	CC210	
0C	CGMS/WSS	CG08/WS07	CG07/WS06	CG06/WS05	CG05/WS04	CG04/WS03	CG03/WS02	CG02/WS01	CG01/WS00	
0D				CG14/WS13	CG13/WS12	CG12/WS11	CG11/WS10	CG10/WS09	CG09/WS08	
0E	OSD control				CLTEN	OSD CLK	BLD mode	BLD1	BLD0	
0F	Color Lookup Table	CTY13	CTY12	CTY11	CTY10	CTY03	CTY02	CTY01	CTY00	
10		CTB13	CTB12	CTB11	CTB10	CTB03	CTB02	CTB01	CTB00	
11		CTR13	CTR12	CTR11	CTR10	CTR03	CTR02	CTR01	CTR00	
12		CTY33	CTY32	CTY31	CTY30	CTY23	CTY22	CTY21	CTY20	
13		CTB33	CTB32	CTB31	CTB30	CTB23	CTB22	CTB21	CTB20	
14		CTR33	CTR32	CTR31	CTR30	CTR23	CTR22	CTR21	CTR20	
15		CTY53	CTY52	CTY51	CTY50	CTY43	CTY42	CTY41	CTY40	
16		CTB53	CTB52	CTB51	CTB50	CTB43	CTB42	CTB41	CTB40	
17		CTR53	CTR52	CTR51	CTR50	CTR43	CTR42	CTR41	CTR40	
18						CTY63	CTY62	CTY61	CTY60	
19						CTB63	CTB62	CTB61	CTB60	
1A						CTR63	CTR62	CTR61	CTR60	
1B	*1 Macrovision	Mode selection	N16 [0]	N0 [6]	N0 [5]	N0 [4]	N0 [3]	N0 [2]	N0 [1]	N0 [0]
1C		Color Stripe Definition #1	N21 [1]	N21 [0]	N1 [5]	N1 [4]	N1 [3]	N1 [2]	N1 [1]	N1 [0]
1D		Color Stripe Definition #2			N2 [5]	N2 [4]	N2 [3]	N2 [2]	N2 [1]	N2 [0]
1E		Color Stripe Definition #3			N3 [5]	N3 [4]	N3 [3]	N3 [2]	N3 [1]	N3 [0]
1F		Color Stripe Definition #4		N4 [6]	N4 [5]	N4 [4]	N4 [3]	N4 [2]	N4 [1]	N4 [0]
20		Color Stripe Definition #5/6/7	N7 [1]	N7 [0]	N6 [2]	N6 [1]	N6 [0]	N5 [2]	N5 [1]	N5 [0]

PRELIMINARY

Notice: This is not a final specification.
Some parametric limits are subject to change.

M65675FP/M65676FP**DIGITAL NTSC/PAL ENCODER****Register Mapping and Description (cont.)**

sub address	Function	data							
		7	6	5	4	3	2	1	0
21	Pseudo-sync parameter #1			N8 [5]	N8 [4]	N8 [3]	N8 [2]	N8 [1]	N8 [0]
22	Pseudo-sync parameter #2			N9 [5]	N9 [4]	N9 [3]	N9 [2]	N9 [1]	N9 [0]
23	Pseudo-sync parameter #3			N10 [5]	N10 [4]	N10 [3]	N10 [2]	N10 [1]	N10 [0]
24	Pseudo-sync/AGC pulse line select	N11 [7]	N11 [6]	N11 [5]	N11 [4]	N11 [3]	N11 [2]	N11 [1]	N11 [0]
25			N11 [14]	N11 [13]	N11 [12]	N11 [11]	N11 [10]	N11 [9]	N11 [8]
26	Pseudo-sync/AGC pulse A/B select	N12 [7]	N12 [6]	N12 [5]	N12 [4]	N12 [3]	N12 [2]	N11 [1]	N12 [0]
27			N12 [14]	N12 [13]	N12 [12]	N12 [11]	N12 [10]	N12 [9]	N12 [8]
28	*1 Macrovision Pseudo-sync/AGC on/off FormatA	N13 [7]	N13 [6]	N13 [5]	N13 [4]	N13 [3]	N13 [2]	N13 [1]	N13 [0]
29	Pseudo-sync/AGC on/off FormatB	N14 [7]	N14 [6]	N14 [5]	N14 [4]	N14 [3]	N14 [2]	N14 [1]	N14 [0]
2A	Back Porch pulse configuration	N15 [7]	N15 [6]	N15 [5]	N15 [4]	N15 [3]	N15 [2]	N15 [1]	N15 [0]
2B	Start to 1st/1st to 2nd Phase Switch Point	N18 [3]	N18 [2]	N18 [1]	N18 [0]	N17 [3]	N17 [2]	N17 [1]	N17 [0]
2C	2nd to End Phase Switch Point/ Subcarrier Phase		N20 [2]	N20 [1]	N20 [0]	N19 [3]	N19 [2]	N19 [1]	N19 [0]
2D	Colorstripe line phase	N21 [9]	N21 [8]	N21 [7]	N21 [6]	N21 [5]	N21 [4]	N21 [3]	N21 [2]

*1 : These registers are M65675FP only

Register Functional Description

Sub address	Name	Function	Remark	Default Data
00	WE	Register Write Enable "0" write disable "1" write enable		20h
	P-save	Power Down Control "0" power down "off" "1" power down "on"		
	UVin	Input Video Data Format Selection "0" Y/U/V input "1" Y/Cb/Cr input		
	Y/CINV	Pixel Data Sep. Timing Control (Y/C) "0" Y/C separation in inverted timing "1" Y/C separation in non-inverted timing		
	Cb/CrINV	Pixel Data Sep. Timing Control (Cb/Cr) "0" Y/C separation in inverted timing "1" Y/C separation in non-inverted timing		
	Color Bar	Color Bar Generation Control "0" color bar generation "off" "1" color bar generation "on"	Color look-up table should be initialized.	
01	525/625	Input Pixel Data Field Frequency Setting "0" 525/60 field "1" 625/50 field		03h
	NTSC/PAL	Line Phase Inversion Control in V-axis "0" Phase Inversion "off" (NTSC) "1" Phase Inversion "on" (PAL)		
	YC/UV	Selection of DAC Output "0" Y/C output "1" U/V output		
	SCH	SCH Phase Control "0" SCH Phase Control "on" "1" SCH Phase Control "off"		

PRELIMINARY**M65675FP/M65676FP**

Notice: This is not a final specification.
Some parametric limits are subject to change.

DIGITAL NTSC/PAL ENCODER**Register Functional Description (cont.)**

Sub address	Name	Function	Remark	Default Data
01	offset	fsc Offset Frequency (25Hz) Control "0" offset no-addition "1" offset addition	It have to set "1" in the setting of 525/625=0	03h
	setup (1:0)	7.5IRE Setup Control "00" setup "off" "01" +7.5IRE setup "1X" -7.5IRE setup	It is active in the setting of 525/625=0.	
	CGMS/WSS	CGMS/WSS Generation Control "0" CGMS/WSS generation "off" "1" CGMS/WSS generation "on"	CGMS/WSS selection is depend on 525/62 setting.	
02	CC1F	Closed Caption Data Transmission Flag in Field 1.		00h
	CC2F	Closed Caption Data Transmission Flag in Field 2.		
	CCI/F	Closed Caption Interface Setting "0" internal generation mode "1" external input mode		
02	CCD (1:0)	Closed Caption Generation Setting "00" generation "off" "01" generation for only field 1 "10" generation for only field 2 "11" reserved		00h
	CCIR (1:0)	Input Pixel Data Format Setting "00" CCIR656 "01" 8bit CCIR601 "10" 16bit CCIR601 "11" reserved		
03	sync (7:0)	Sync Signal Output Level Setting		DBh
04	burst (6:0)	Burst Level Setting		54h
05	SD (4:0)	Composite Sync Multiplexing Timing Setting		19h
06	YD (4:0)	Luma Signal Delay Setting		04h
07	TINT (7:0)	Chroma Output TINT Control		00h
08	CC10 (6:0)	1st Byte Data Setting for Field 1		00h
09	CC11 (6:0)	2nd Byte Data Setting for Field 1		00h
0A	CC20 (6:0)	1st Byte Data Setting for Field 2		00h
0B	CC21 (6:0)	2nd Byte Data Setting for Field 2		00h
0C : 0D	CG (14:1) [WS (13:0)]	CGMS or WSS Data Setting		00h
0E	CLTEN	CLT Data Renewing Enable "0" disable "1" enable		00h
	OSDCLK	OSDCLK Frequency Setting "0" 6.75MHz "1" 13.5MHz		00h
	BLD mode	Blending Mode Setting "0" Y and C are mixing "1" Only Y is mixing	In the case of "1", C is equal to the OSD setting color.	00h
0E	BLD (1:0)	Blending Color Address Setting "00" blending "off" "01" CLT0 is set for a blending color "10" CLT(1:0) is set for a blending Color "11" CLT(2:0) is set for a blending color		00h
0F : 1A	CTY (00:63) CTB (00:63) CTR (00:63)	Color Look-up table RAM Setting		00h
1B : 2D	N0 : N21	Macrovision Setting		00h

PRELIMINARY**M65675FP/M65676FP**

Notice: This is not a final specification.
Some parametric limits are subject to change.

DIGITAL NTSC/PAL ENCODER**DESCRIPTION OF PIN**

Pin No.	Pin name	Type	Function
1	DVss2	Supply	Digital ground for I/O.
2	PXCLK	O	Reference clock for pixel data input. The clock frequency is 27.0MHz or 13.5MHz in CCIR656/8-bit CCIR601 or 16-bit CCIR601 input mode, respectively.
3	DVASEL	I	I ² C slave address setting. "Low" is for the slave address of 40h. "High" is for the slave address of 42h.
4	HD	I/O	Horizontal sync signal. It is an input or output in the slave or master mode, respectively.
5	VD	I/O	Vertical sync signal. It is an input or output in the slave or master mode, respectively.
6	VD9	I/O	Video data inputs. The input video data are the luma (Y) data as defined in CCIR Rec 601 in 16-bit CCIR601 mode. In the Y/U/V output mode, the output is 10-bit luma signal with a composite sync. In 16-bit CCIR601 mode, an MSB and LSB is VD7 and VD0, and in the Y/U/V output mode, VD9 and VD0, respectively.
7	VD8		
8	VD7		
9	VD6		
10	VD5		
11	VD4		
12	VD3		
13	VD2		
14	VD1		
15	VD0		
16	DVss2	Supply	Digital ground for I/O.
17	DVDD2	Supply	Digital positive supply for I/O.
18	DVDD1	Supply	Digital positive supply for internal logic.
19	DVss1	Supply	Digital Ground for internal logic.
20	OSDCK	O	Reference clock for the external OSD microprocessor. The frequency is 13.5MHz or 6.25MHz, alternated by I ² C bus control.
21	OSD0	I	Color Look-up table address input. MSB and LSB is OSD2 and OSD0, respectively.
22	OSD1		
23	OSD2		
24	Master/Slave	I	Synchronizing mode selection. "Low" is for the slave mode. "High" is for the master mode.
25	RESET	I	Asynchronous reset, active "LOW".
26	ACK	O	Acknowledge line (Open drain output).
27	SDA	I/O	Serial data line/Acknowledge line (Open drain output).
28	SCL	I	Serial clock line.
29	TEST	I	Test mode control. It should be grounded during actual use.
30	DVDD1	Supply	Digital positive supply for internal logic.
31	N.C.		No connection.
32	N.C.		No connection.
33	C	O	The analog chroma output signal from 6-dB amplifier. The output amplitude is 1.0V _{P-P} (typ.), while the input one is 0.5V _{P-P} .
34	N.C.		No connection.
35	CVBS	O	The analog composite video output signal from 6-dB amplifier. The output amplitude is 1.24V _{P-P} (typ.).
36	AVss2	Supply	Analog ground for 6-dB amplifiers.
37	Y	O	The analog luma output signal from 6-dB amplifier. The output amplitude is 1.2V _{P-P} (typ.), while the input one is 0.6V _{P-P} .
38	AVDD2	Supply	Analog positive supply for 6-dB amplifiers.
39	Yin	I	The analog luma input from an external LPF. This input has clamp circuit. The signal must input via capacitor.
40	N.C.		No connection
41	Cin	I	The analog chroma input from an external LPF. This input has bias circuit. The signal must input via capacitor.

PRELIMINARY

Notice: This is not a final specification.
Some parametric limits are subject to change.

M65675FP/M65676FP**DIGITAL NTSC/PAL ENCODER****DESCRIPTION OF PIN (cont.)**

Pin No.	Pin name	Type	Function
42	Ccomp	I	Phase compensation for chroma or V D/A converters. It should be connected to the analog ground via a capacitor.
43	DAC	O	Chroma or V signal output. It should be connected to the analog supply via a resistor (RL). The output amplitude is set up by reference resistor (Rref) and RL.
44	AVDD1	Supply	Analog positive supply for D/A converters.
45	AVSS1	Supply	Analog ground for D/A converters.
46	DAY	O	Luma or V signal output. It should be connected to the analog supply via a resistor (RL). The output amplitude is set up by reference resistor (Rref) and RL.
47	Cref	I	Reference current control for chroma or V D/A converter. It should be connected to the analog supply via a reference resistor (Rref).
48	Yref	I	Reference current control for luma or U D/A converter. It should be connected to the analog supply via a reference resistor (Rref).
49	Ycomp	I	Phase compensation for luma or U D/A converters. It should be connected to the analog ground via a capacitor.
50	N.C.		No connection.
51	DVDD1	Supply	Digital positive power supply for internal logic.
52	DVSS1	Supply	Digital ground for internal logic.
53	Xout	O	System clock output. It should be in no connection except that it is connected to a X'tal oscillator.
54	Xin	I	System clock input. The clock frequency is 27.0MHz only.
55	DVSS2	Supply	Digital ground for I/O.
56	PXD7	I	Pixel data inputs. The acceptable video data are; multiplexed video data (Y/Cb/Cr) including timing reference code of SAV and EAV as defined in CCIR Rec656, and multiplexed video data (Y/Cb/Cr) as defined in CCIR Rec601, and multiplexed Color difference signals (Cb/Cr). An MSB and LSB is PXD7 and PXD0, respectively.
57	PXD6		
58	PXD5		
59	PXD4		
60	PXD3		
61	PXD2		
62	PXD1		
63	PXD0		
64	DVDD2	Supply	Digital positive power supply for I/O

Interface

The M65675FP/M65676FP has two interfaces as follows;

- Pixel data interface
- OSD interface

Pixel Data Interface

The M65675FP/M65676FP accepts these 6 digital pixel data formats as shown below;

In CCIR656

- Y and Cb/Cr, in a digital video transmission format
- Y and U/V, in a time multiplexed 8-bit serial data format

In CCIR601

- Y and Cb/Cr, in a digital video transmission format
- Y and U/V, in a time multiplexed 8-bit serial data format
- Y, in a digital video transmission format and time multiplexed Cb/Cr
- Y and U/V, in a time multiplexed 16-bit serial data format

The 8-bit serial data in CCIR656 and CCIR601 are taken into the

M65675FP/M65676FP through PXDATA [7:0] ports synchronizing with a pixel clock (PXCLK) generated by the LSI. In the case of CCIR601 16-bit serial data, 8-bit color difference signals (Cb/Cr or U/V) and luma signal (Y) are taken into the LSI synchronizing with pixel clock (PXCLK) through PXD [7:0] and VD [7:0] port, respectively.

CCIR656 pixel data are accepted in only the slave mode, while CCIR601 ones are accepted in both the master and slave modes. In the case of CCIR656 pixel data, H/V sync and a field identification signals are regenerated internally referring to SAV and EAV code multiplexed in the pixel data. In the case of CCIR601 pixel data, H/V sync and the field identification signals are regenerated internally, then the H and V sync signals are available via HD and VD ports in the master mode operation, respectively. Moreover, in the slave mode, the M65675FP/M65676FP is in the slave operation synchronized with H/V sync signals via HD/VD ports and a field identification is done using the H/V sync input signals.

PRELIMINARY

Notice: This is not a final specification.
Some parametric limits are subject to change.

M65675FP/M65676FP

DIGITAL NTSC/PAL ENCODER

The pixel data interface pin assignment is shown in Table 1.

Table 1 Pixel Data Interface Pin Assignment

Pin name	I/O	Function
PXCLK	O	Pixel clock output. In the case of CCIR656 / CCIR601 8-bit data and CCIR601 16-bit inputs, this will be a free-run clock of 27MHz and 13.5MHz, respectively.
HD (Note1)	I/O	Horizontal sync signal. Input in the slave or output in the master mode.
VD (Note1)	I/O	Vertical sync signal. Input in the slave or output in the master mode.
PXD [7:0]	I	Pixel data input. 8-bit data input in CCIR656 / CCIR601 or the color differential signals (Cb/Cr) input in CCIR601 16-bit data format.
PD [7:0]	I	Pixel data input. Luma (Y) data input in CCIR601 16-bit data format.

Note1 : In CCIR656 mode, H sync and V sync generated by EAV will be output via terminals HD and VD, respectively.

OSD Interface

The OSD data, which are stored in the address assigned by the color look-up table RAM (CLT-RAM) address data input via OSD [2:0] ports, are multiplexed into the Y signal synchronizing with OSD

clock (OSDCK) delivered from the M65675FP/M65676FP.

The OSD interface pin assignment is shown in Table 2.

Table 2 The OSD interface Pin assignment

Pin name	I/O	Function
OSDCK	O	OSD clock output. 13.5MHz free-run clock or 6.25MHz H-start-and-stop clock.
OSD [2:0]	I	Color look-up table RAM address input.

